

## RECIPROCATING FEEDERS “AR” SERIES (HEAVY DUTY)

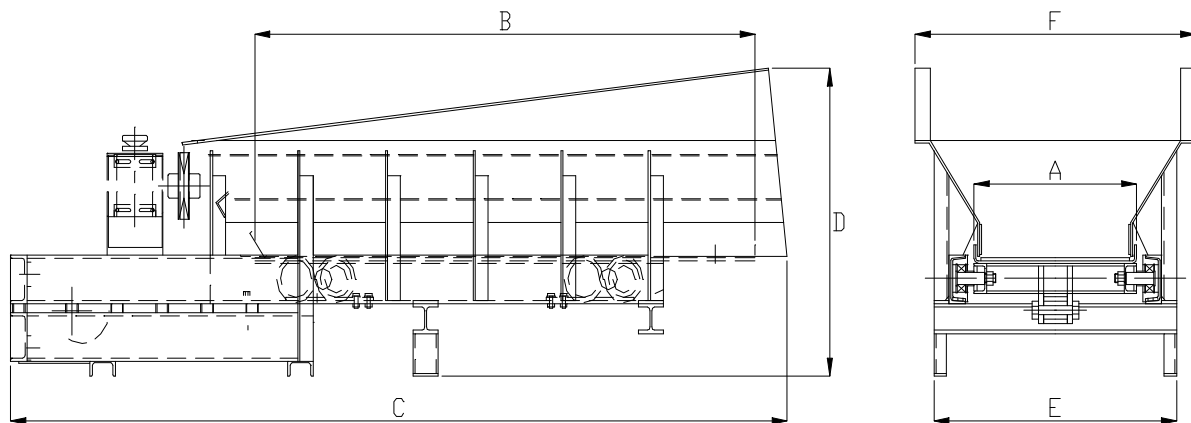


### FOR THE DOSAGE OF LARGE PIECES



- flexibility in controlling the flow rate by adjusting the race and the stroke speed of the cart
- high durability thanks to the use of linings made of wear-resistant steel easily replaceable
- safety device to avoid excessive stress in the connecting rod

## STANDARD SIZES FOR RECIPROCATING FEEDERS



The "AR" series feeders represent the **heavy "rock"** version of standard reciprocating feeders, therefore they are more robust and suitable for dosing large pieces of material. They are equipped with **anti-wear steel covers** applied to the cart and to the storage walls. The transmission consists of a servo-ventilated electric motor to vary the speed through an inverter and an oil-bath gear reducer. The connecting rod is characterized by a head on an elastic bush and a foot on an adjustable bearing with an adjustable eccentric. Furthermore, a safety device equipped with an electric switch is applied to avoid excessive stress of the connecting rod.

TYPE*	A (mm)	B (mm)	C (mm)	D (mm)	E (mm)	F (mm)	Weight (Kg)	Motor power (Hp)
AR65	650	2000	3102	1100	970	1400	1320	4
AR80	800	2000	3302	1100	1120	1550	1460	7,5

FLOW RATE ADJUSTMENT							
TYPE*	Setting	1	2	3	4	5	6
AR65	Race (mm)	41	80	113	139	155	160
	Volume per stroke (dm <sup>3</sup> )	12,2	24	33,7	41,4	45,9	47,5
	Capacity by 20 races /1' (m <sup>3</sup> /h)	14,6	28,8	40,4	49,7	55,1	57
AR80	Race (mm)	41	80	113	139	155	160
	Volume per stroke (dm <sup>3</sup> )	15	29,5	41,5	51	56,5	58,5
	Capacity by 20 races /1' (m <sup>3</sup> /h)	18	35	49	60,5	68	70

\* The models shown are standards that can be adapted and modified according to specific customer needs.