

VIBRATING FEEDERS “AV” SERIES

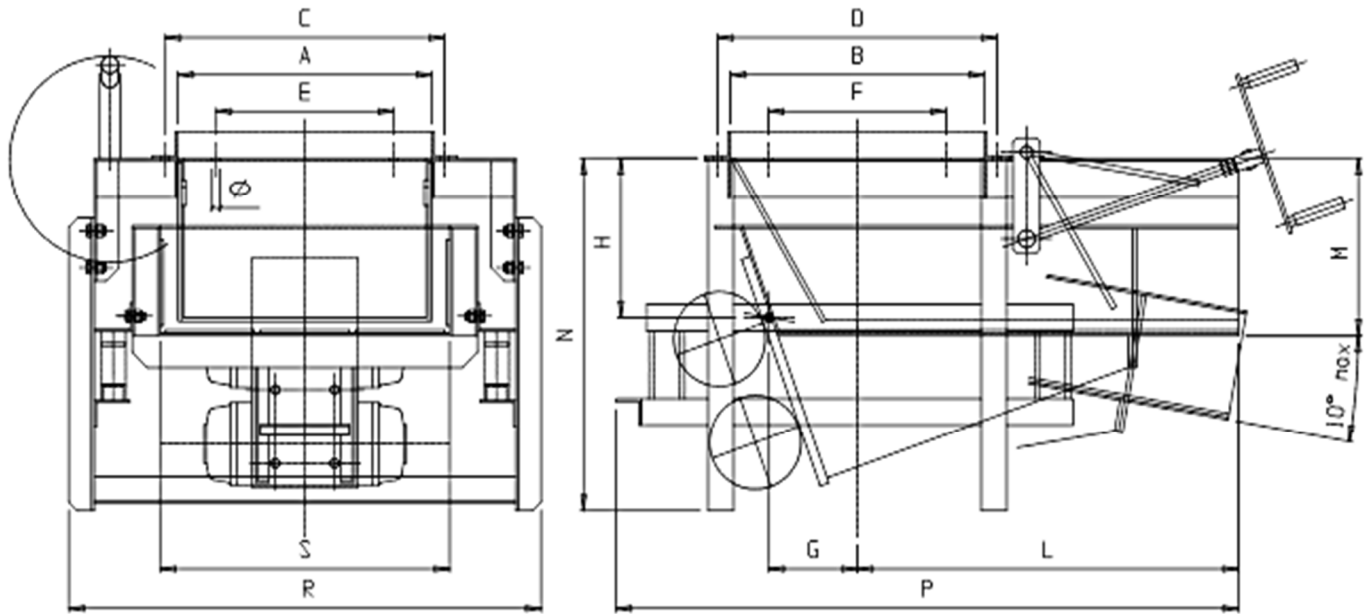


SUITABLE FOR FEEDING AND EXTRACTING MATERIAL



- simple, robust and reliable
- vibration oriented to induce progression of even the least flowing materials
- adjustment of the flow rate when the machine is in motion using the crank
- internal armor in wear-resistant steel
- particularly suitable for applications suspended under silos or hoppers

STANDARD SIZES FOR VIBRATING FEEDERS



A pair of electric vibrators, with adjustable eccentric masses, generate the inclined rectilinear vibration that moves, with continuous and regular advancement, the layer of material present on the floor of the vibrating feeder. The part of the floor, subject to rubbing with the material in transit, is lined with wear-resistant steel. The flow is adjustable, when the machine is running, by means of a gate operated driven by crank.

| TYPE | A (mm) | B (mm) | C (mm) | D (mm) | E (mm) | F (mm) | G (mm) | H (mm) | L (mm) | M (mm) | N (mm) | P (mm) | R (mm) | S (mm) | Ø (mm) | Weight (Kg) | Power (Kw) | Max. input size* (mm) | Max. capacity (mc/h) |
|-------|--------|--------|--------|--------|--------|--------|--------|--------|--------|--------|--------|--------|--------|--------|--------|-------------|------------|-----------------------|----------------------|
| AV30 | 300 | 300 | 340 | 340 | 200 | 200 | 115 | 135 | 450 | 210 | 450 | 825 | 722 | 350 | 13 | 110 | 0,1 + 0,1 | 80 | 20 |
| AV40 | 400 | 400 | 440 | 440 | 300 | 300 | 135 | 240 | 600 | 280 | 575 | 1000 | 780 | 470 | 15 | 200 | 0,3 + 0,3 | 110 | 30 |
| AV50 | 500 | 500 | 550 | 550 | 350 | 350 | 174 | 305 | 750 | 340 | 675 | 1225 | 930 | 570 | 16 | 340 | 0,5 + 0,5 | 140 | 50 |
| AV60 | 600 | 600 | 660 | 660 | 400 | 400 | 215 | 355 | 900 | 400 | 820 | 1460 | 1050 | 670 | 18 | 520 | 0,9 + 0,9 | 170 | 80 |
| AV75 | 750 | 750 | 820 | 820 | 500 | 500 | 223 | 465 | 1125 | 525 | 1050 | 1800 | 1280 | 840 | 19 | 870 | 1,1 + 1,1 | 200 | 120 |
| AV90 | 900 | 900 | 980 | 980 | 600 | 600 | 365 | 560 | 1350 | 630 | 1250 | 2170 | 1496 | 1000 | 21 | 1300 | 1,6 + 1,6 | 240 | 180 |
| AV112 | 1120 | 1120 | 1200 | 1200 | 900 | 900 | 440 | 720 | 1840 | 800 | 1600 | 2805 | 1840 | 1200 | 26 | 2500 | 2,2 + 2,2 | 360 | 250 |

* The maximum size for isolated pieces <5% on the tot. can be increased by 50%.

The models shown are standards that can be adapted and modified according to specific customer needs.